

Product Features

Individual control: Each pixel dot light can be controlled individually, allowing for a wide range of creative and dynamic lighting effects.

Flexibility: Pixel dot lights can be used to create media facades of any size and shape, regardless of the building's architecture.

Durability: Pixel dot lights are made with high-quality materials and are designed to withstand the elements, making them ideal for outdoor use

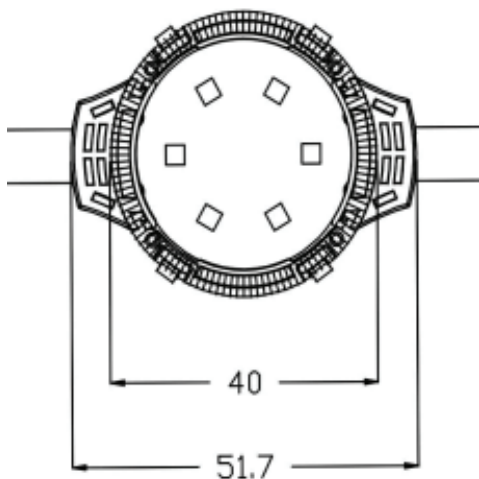


PHYSICAL

Body	UV Resistant PC
Dimensions	40MM
Finish	Black & White
IP Rating	IP68
Hole Size	40.4mm
Flame retardant grade:	V0



Lamp	LED
Cover	UV Resistant Clear PC
Beam Angle	120°
Color Temp.	Mono Color, RGB, RGBW
LED Chip	CREE OSRAM
Lumen Output	+85lm / W
Color rendering i(Ra):	>82
Power factor (PF):	>0.9



Power	1.5W
Control	SPI / DMX512
Input voltage	24V
Lamp life	50,000 h
Ambient Temp.	-25°C ~ 50°C
Ambient Humidity	-25% ~ +60%
PCB	Excellent heat conductivity aluminum
PCB Voltage protection	coefficient of heat conductivity ≥ 2.0w/mk
PCB Current Stabilization	Reverse voltage protection
	Integrated current stabilization system