

Product Features

- No Shadow Gap in joint.
- Various customization options including fixture length, color, and pixel configuration
- Direct or diffused views
- Slim profile
- Flexible mounting capability
- Outdoor-rated and UV-resistant
- Simple cabling
- Auto-addressable pixels



PHYSICAL

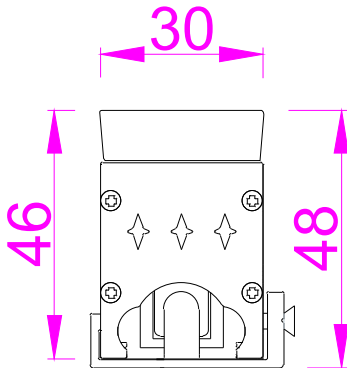
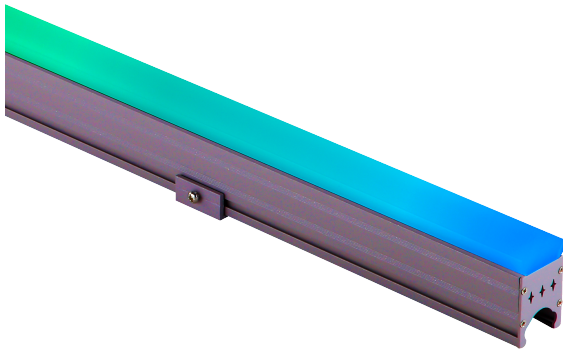
Body	Extruded Aluminium
Dimensions	L990mmxW30mmxH46mm
Finish	Powder Coating
IP Rating	IP66

OPTICAL

Lamp	LED
Cover	10mm Solid PC
Beam Angle	180°
Color Temp.	Mono Color, RGB, RGBW
LED Chip	Lumileds Philips
Color rendering i(Ra):	>82
Power factor (PF):	>0.9

ELECTRICAL

Power	13W
Controller	Switch Dali DMX
Input voltage	24V / 48V
Lamp life	50,000 h
Ambient Temp.	-25°C ~ 50°C
Ambient Humidity	-25% ~ +60%
PCB	Excellent heat conductivity aluminum coefficient of heat conductivity $\geq 2.0\text{w/mk}$
PCB Voltage protection	Reverse voltage protection
PCB Current Stabilization	Integrated current stabilization system



Ref.	Wattage	Voltage	Color Temp	Pixel/M	Control
HD-L04060	13W	24V 48V	Mono Color	/	On/Off
HD-L04072	16W	24V 48V	Mono Color	/	On/Off
HD-L04048R	12W	24V 48V	RGB	8	DMX / SPI
HD-L04048RW	14W	24V 48V	RGBW	8	DMX / SPI
HD-L04048W2R	12W	24V 48V	RGB	16	DMX / SPI
HD-L04048W3RW	14W	24V 48V	RGBW	16	DMX / SPI
HD-L04048W4R	13W	24V 48V	RGB	40	DMX / SPI
HD-L04048W5RW	15W	24V 48V	RGBW	40	DMX / SPI