

Product Features

- No Shadow Gap in joint.
- Various customization options including fixture length, color, and pixel configuration
- Direct or diffused views
- Slim profile
- Flexible mounting capability
- Outdoor-rated and UV-resistant
- Simple cabling
- Auto-addressable pixels



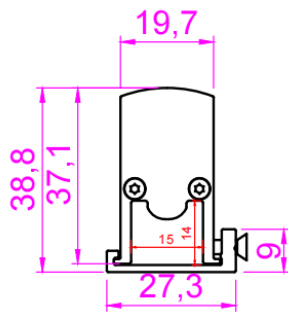
Body	Extruded Aluminium
Dimensions	W20*H37*L1000mm
Finish	Powder Coating
IP Rating	IP66

OPTICAL

Lamp	LED
Cover	Frosted PC
Beam Angle	120° 180°
Color Temp.	Mono Color, RGB, RGBW
LED Chip	Lumileds Philips
Color rendering i(Ra):	>82
Power factor (PF):	>0.9

ELECTRICAL

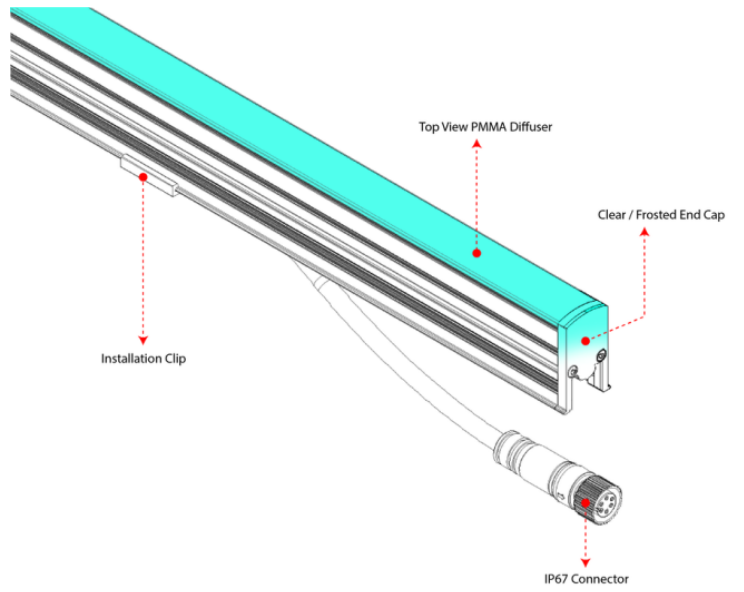
Power	13W
Controller	Switch Dali DMX
Input voltage	24V
Lamp life	50,000 h
Ambient Temp.	-25°C ~ 50°C
Ambient Humidity	-25% ~ +60%
PCB	Excellent heat conductivity aluminum coefficient of heat conductivity $\geq 2.0\text{w/mk}$
PCB Voltage protection	Reverse voltage protection
PCB Current Stabilization	Integrated current stabilization system



Ref.	Wattage	Voltage	Color Temp	Pixel/M	Control
HD-L04060	12W	24V	Mono Color	/	On/Off
HD-L03048R	10W	24V	RGB	8	DMX / SPI
HD-L03048RW	13W	24V	RGBW	8	DMX / SPI
HD-L03048W2R	13W	24V	RGB	16	DMX /SPI
HD-L03048W3RW	15W	24V	RGBW	16	DMX / SPI
HD-L03048W4R	13W	24V	RGB	40	DMX /SPI
HD-L03048W5RW	15W	24V	RGBW	40	DMX / SPI



120° Top View



180° Top & Side View

